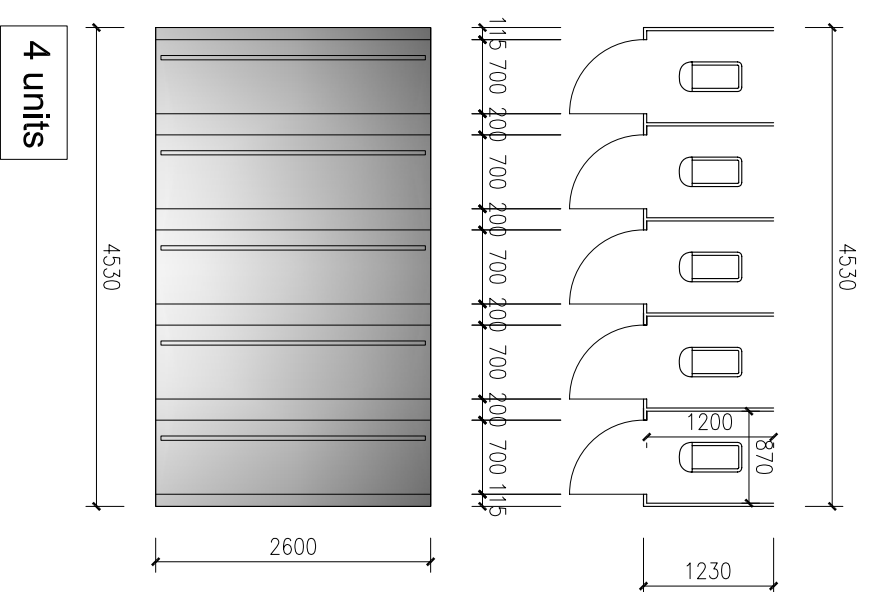
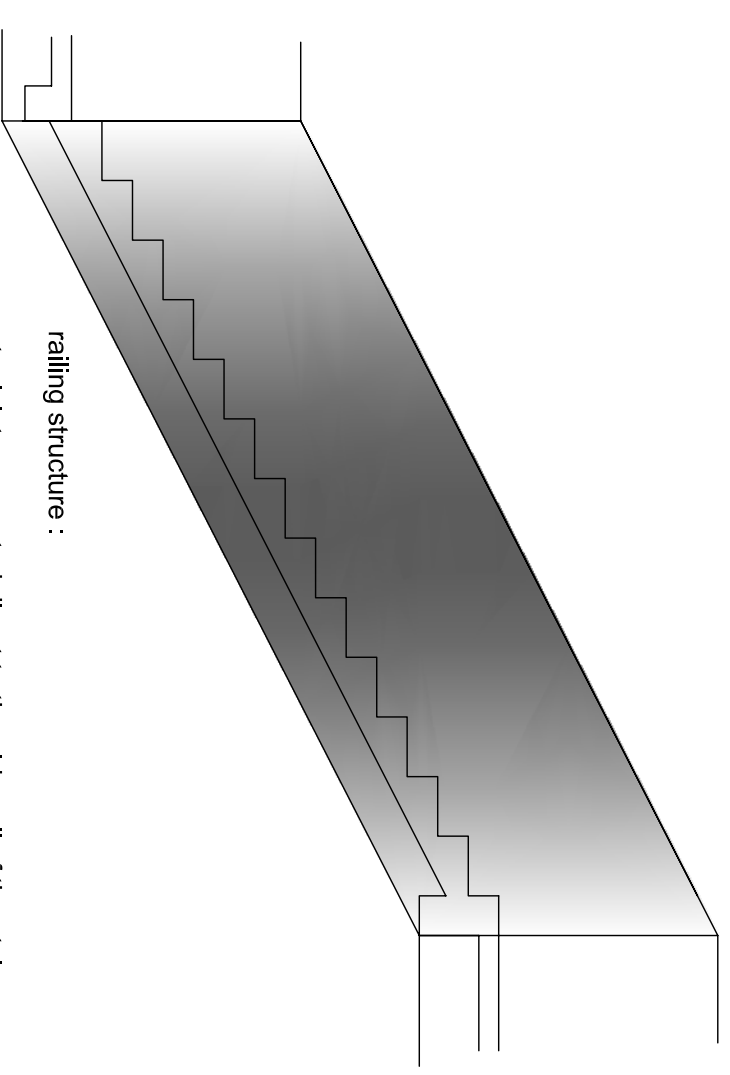


level 1-2



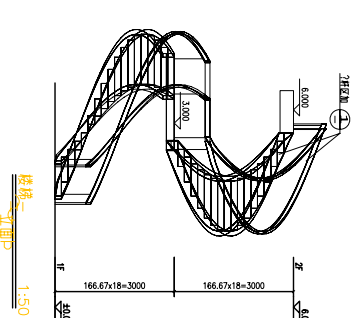
all walls and doors are made of satined glass (SHATTERPROOF)  
handle bars are made of stainless steel tubes



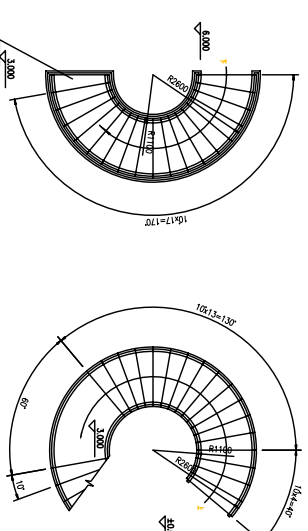
railing structure :

steelplates mounted direct to the sidewall of the stairs

THE WHOLE SURFACE IS COVERED WITH PANDOMO WALL



staircase 3



spiral staircase:

railing structure :

steelplates mounted direct to the sidewall of the stairs - follows the spiral system

THE WHOLE SURFACE IS COVERED WITH PANDOMO WALL

length: 2 x15m

height: 1,4m

surface: 2 x 42m<sup>2</sup>

staircase 2:

railing structure :

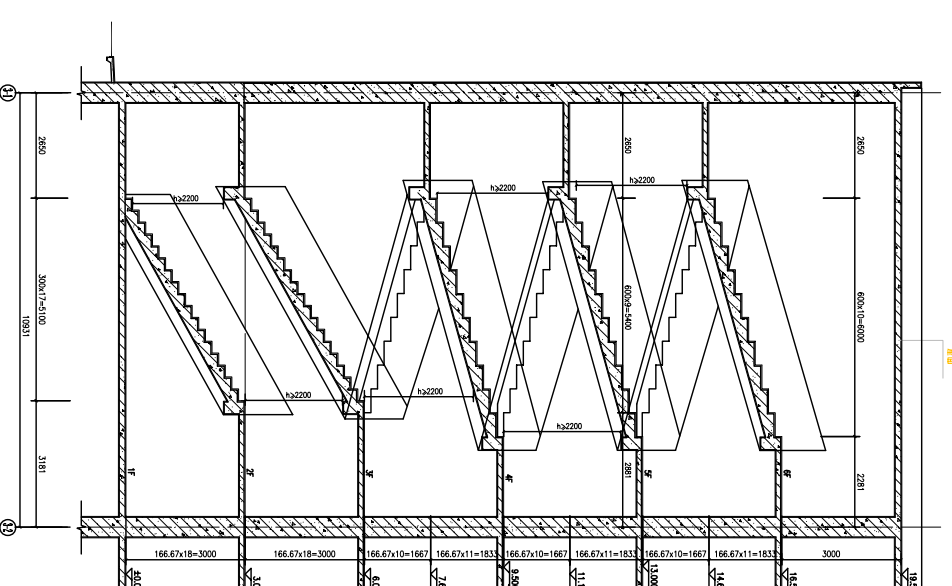
steelplates mounted direct to the sidewall of the stairs  
( have to cover all the beams!! )

THE WHOLE SURFACE IS COVERED WITH PANDOMO WALL

length: 56m

height: 1,6m

surface: 2x90m<sup>2</sup>



staircase 1:

railing structure :

steelplates mounted direct to the sidewall of the stairs  
( have to cover all the beams!! )

THE WHOLE SURFACE IS COVERED WITH PANDOMO WALL

length: 50m

height: 1,5m

surface: 2x75m<sup>2</sup>

